

FIG. 1

*Johnson & Hicks*  
PATENT AGENTS

10  
A

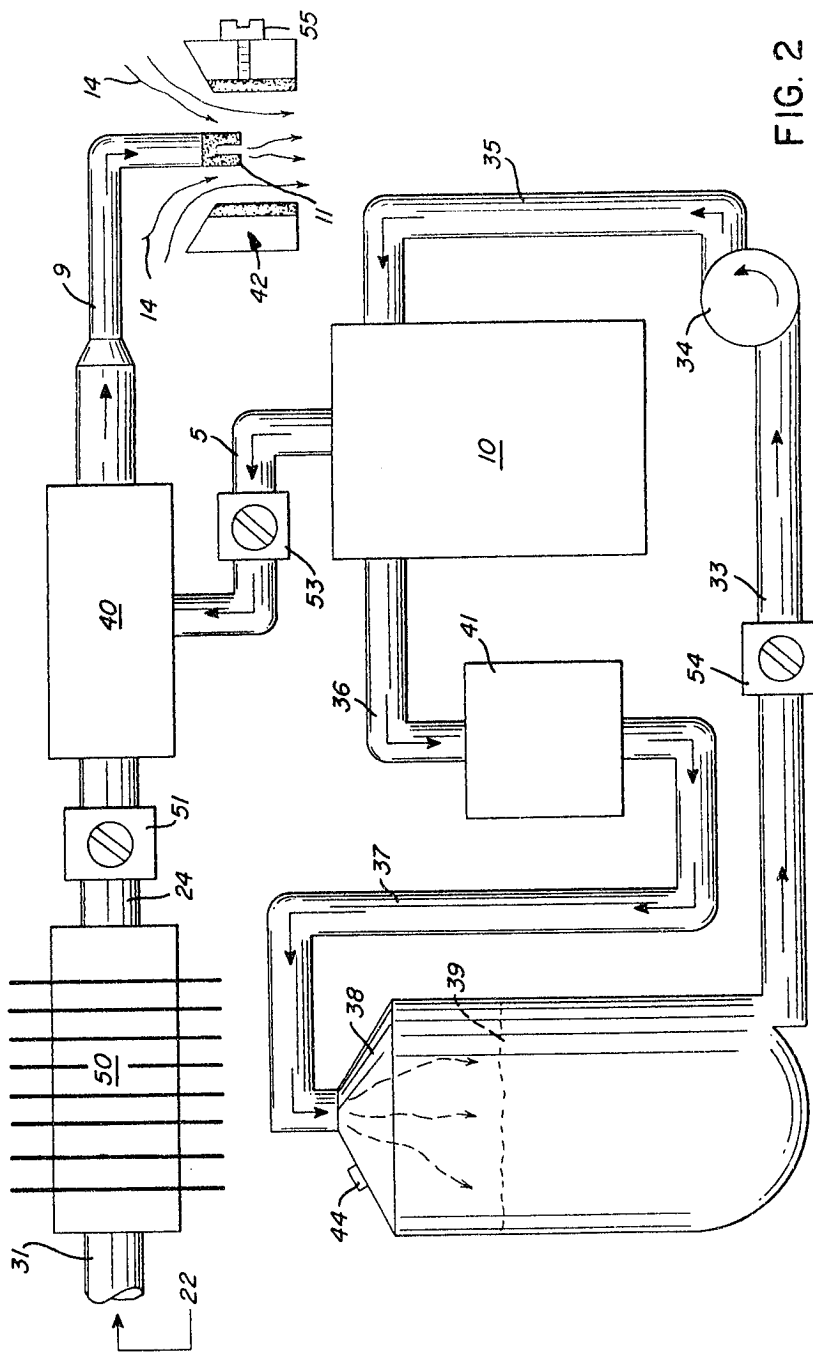
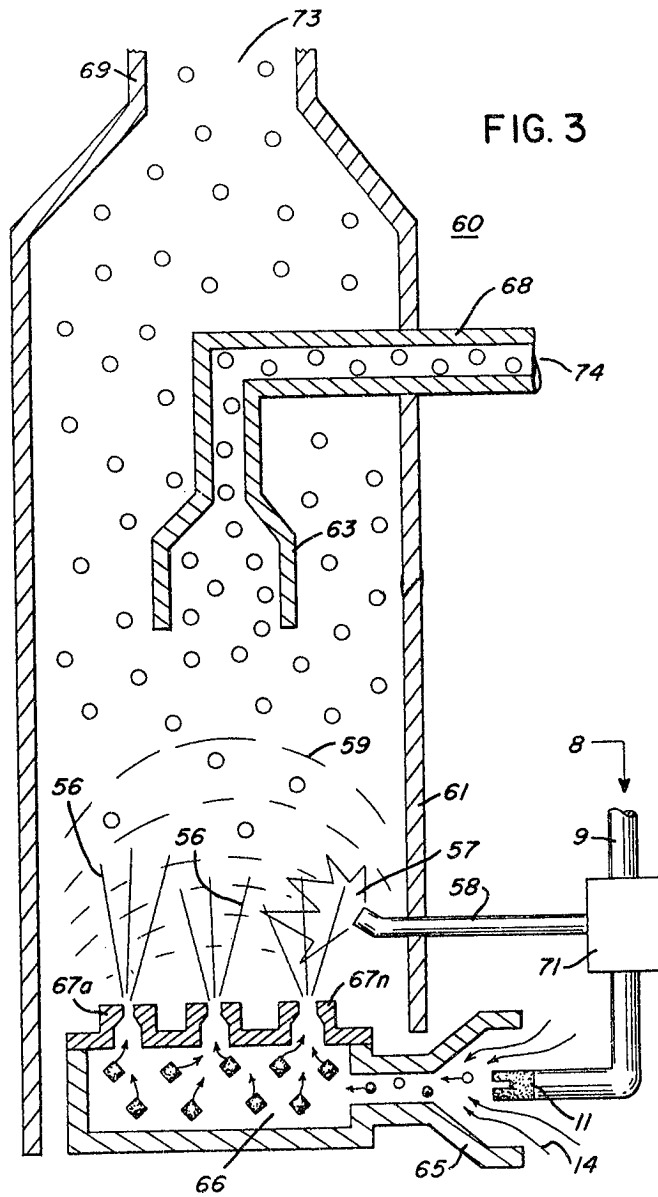


FIG. 2

*Johnson & Hicks*  
PATENT AGENTS



*Johnson & Hicks*  
PATENT AGENTS

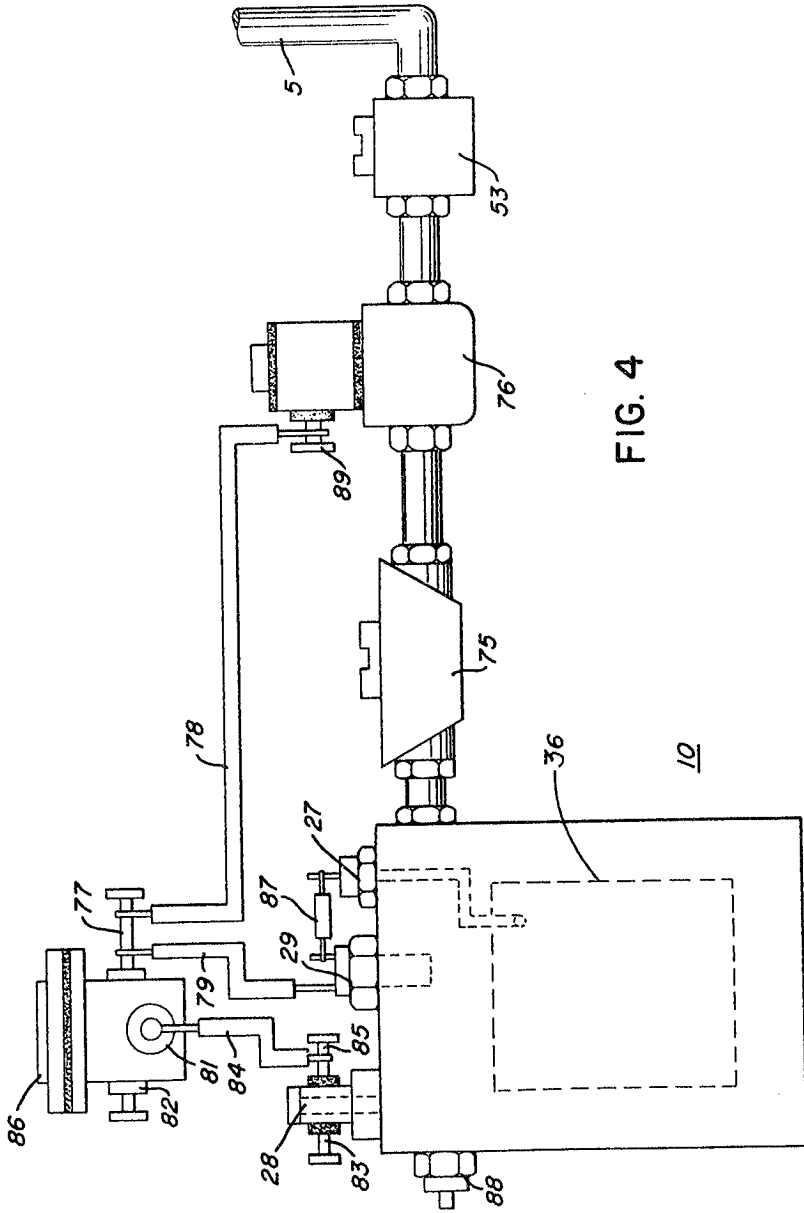
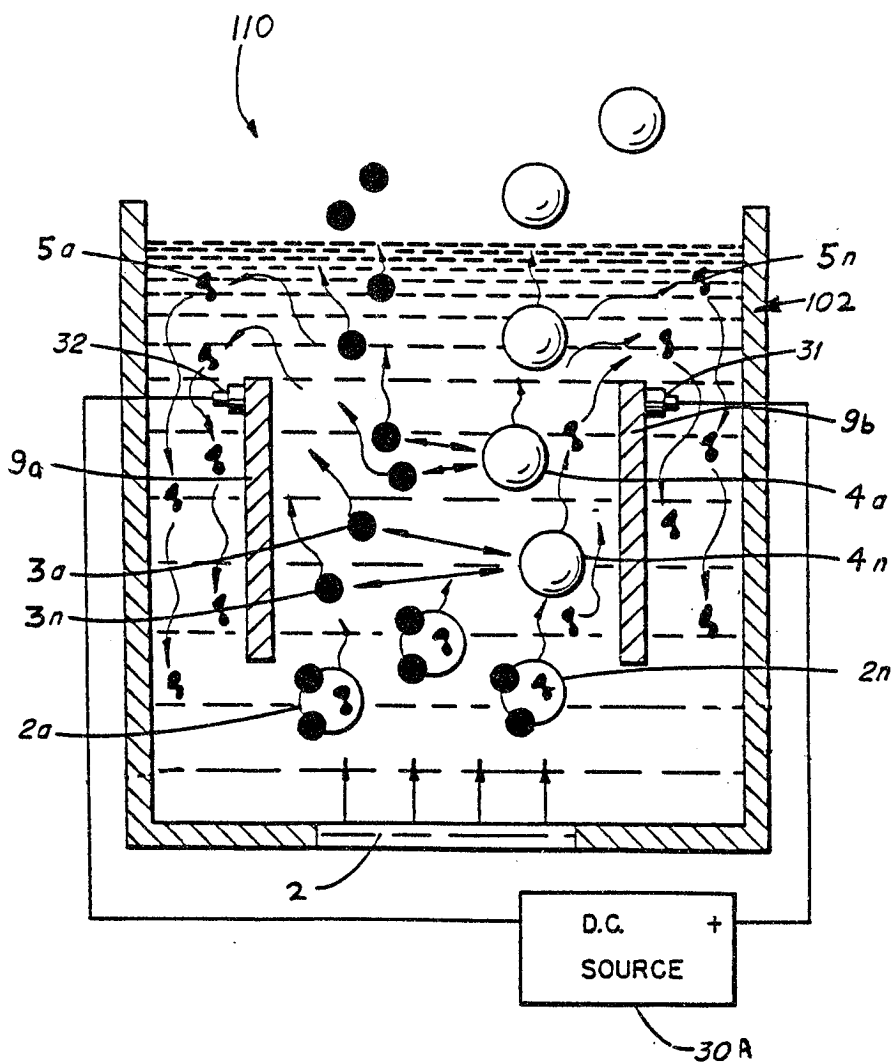


FIG. 4

*Johnson & Hicks*  
PATENT AGENTS

FIG. 5



Johnson + Hicks

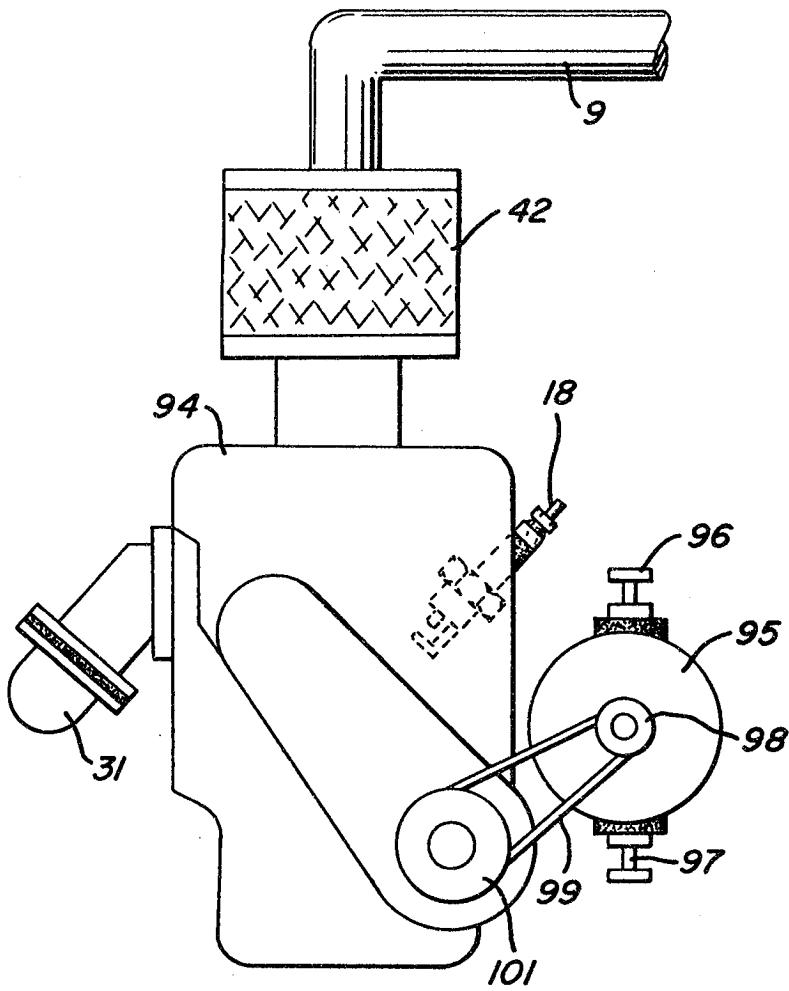
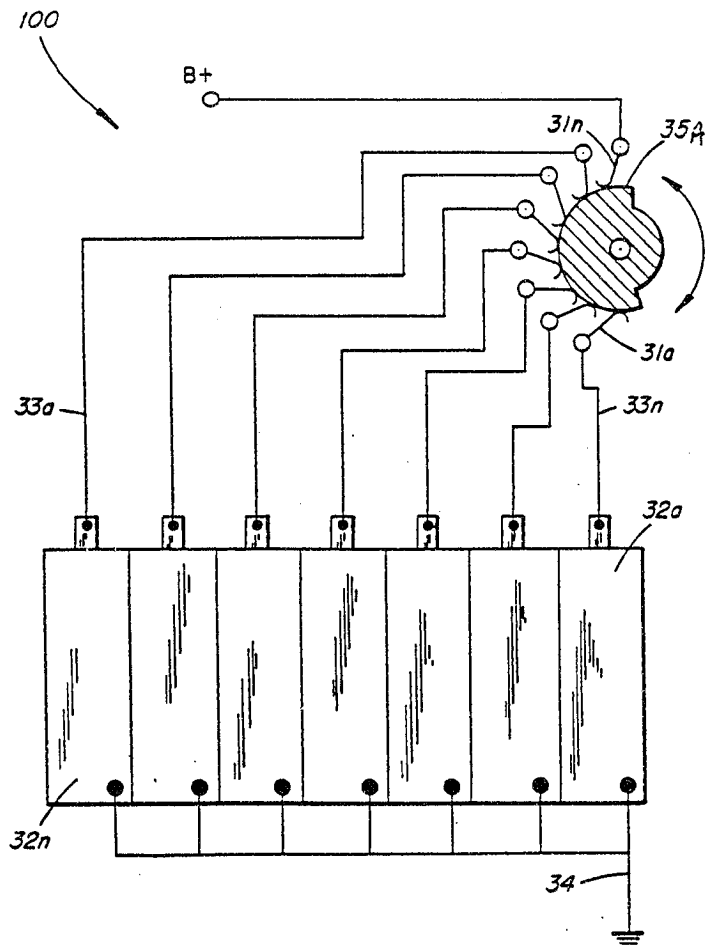


FIG. 6

*Johnson & Hicks*  
PATENT AGENTS

FIG. 7



*Johnson + Hicks*

12-8

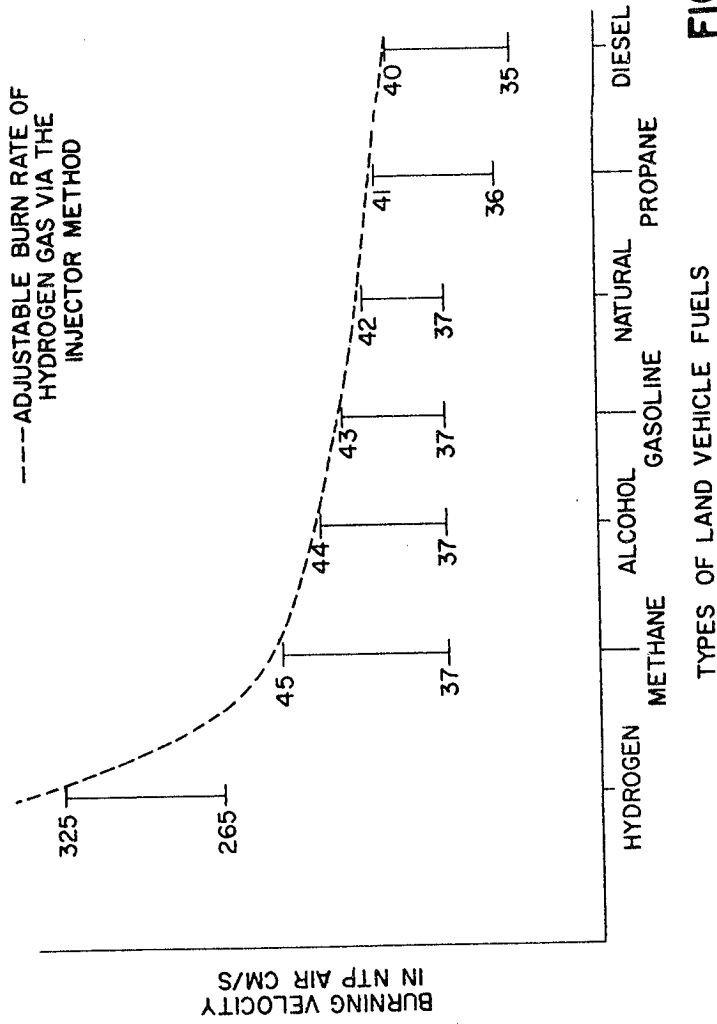


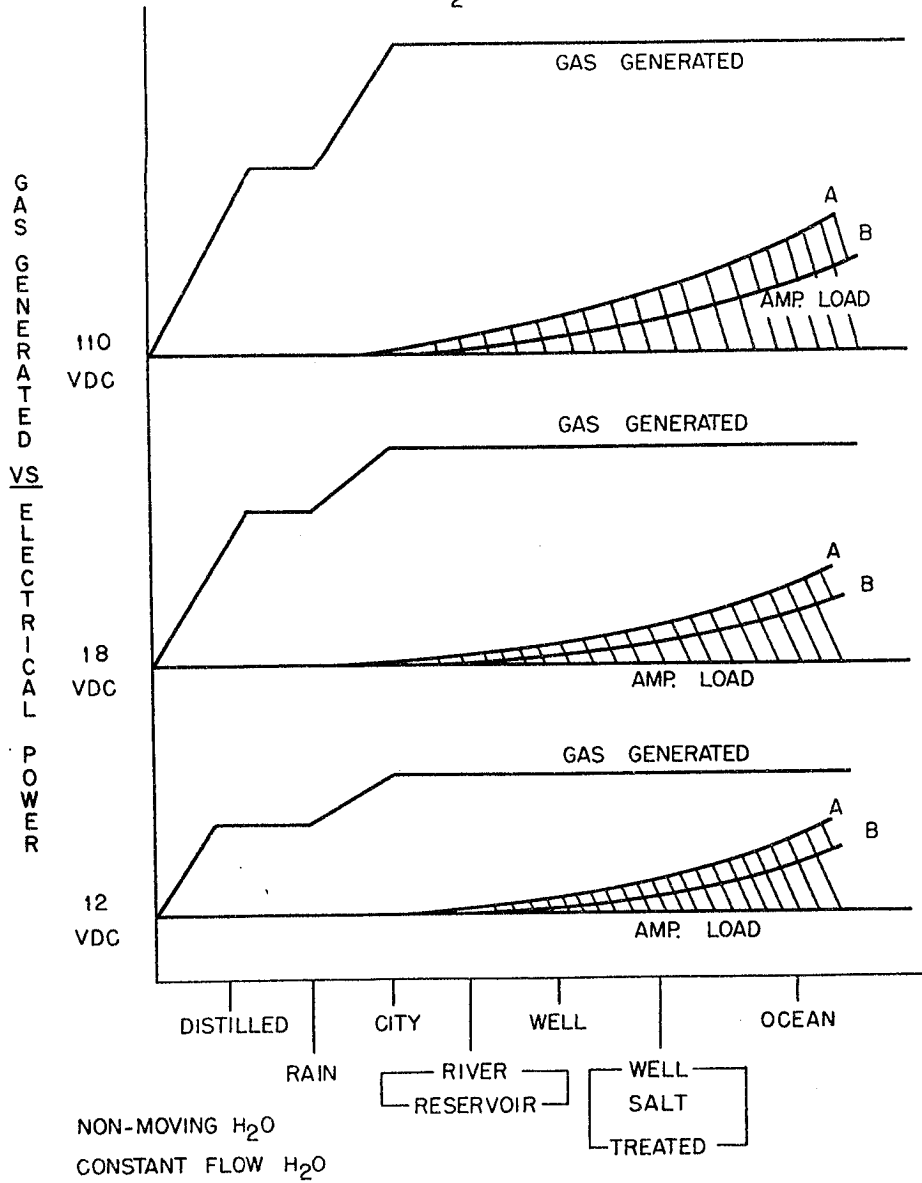
FIG. 8

*Johnson & Hicks*  
PATENT AGENTS



FIG. 9

GAS GENERATED VS. DIFFERENT APPLIED  
VOLTAGES VS. H<sub>2</sub>O CONDITIONS

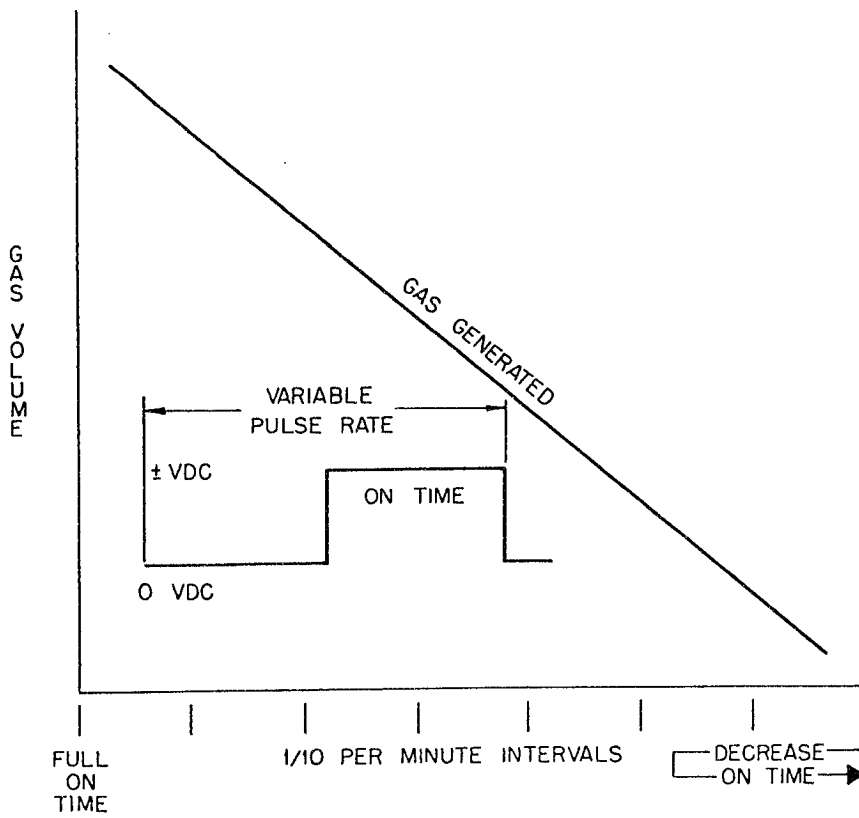


*Johnson & Hicks*  
PATENT AGENTS

12-10

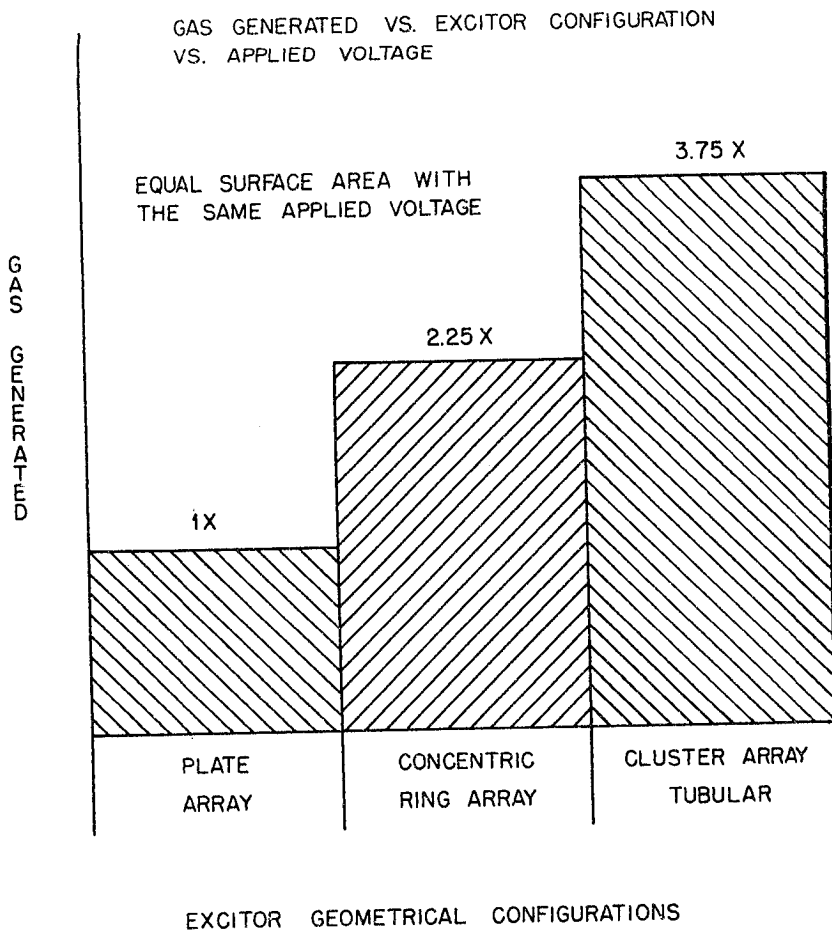
FIG. 10

GAS GENERATED VS. PULSE VOLTAGE RATE



*Johnson & Flicks*  
PATENT AGENTS

FIG. II

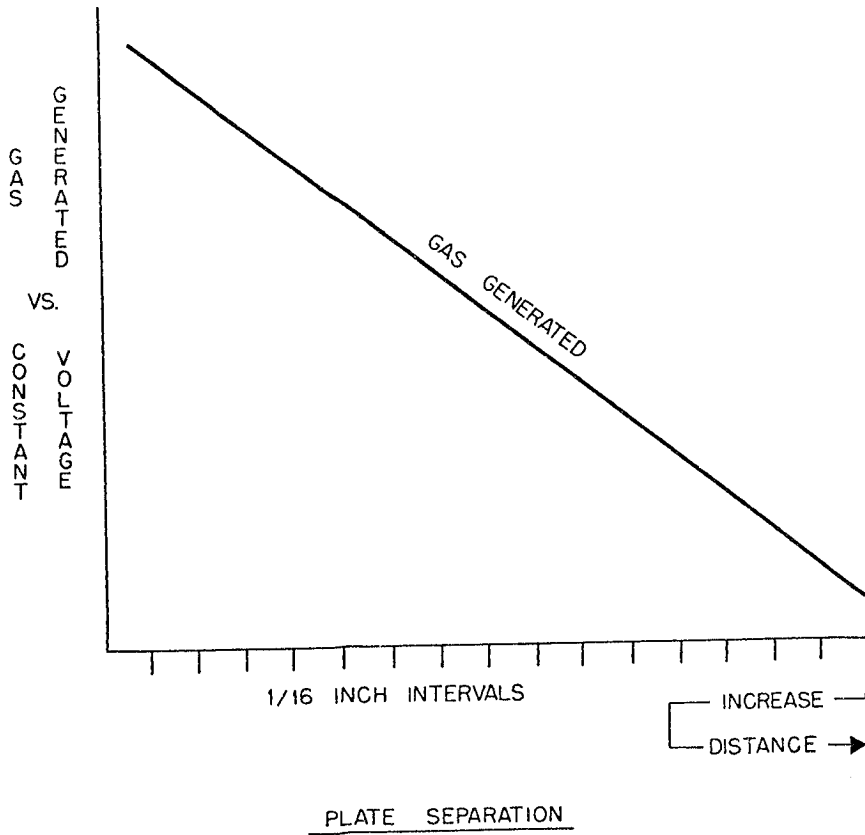


*Johnson & Hicks*  
PATENT AGENTS

12-12

FIG. 12

GAS GENERATED VS. APPLIED VOLTAGE VS.  
PLATE SEPARATION



*Johnson & Hicks*  
PATENT AGENTS