

FIG. 1

Johnson + Hicks
PATENT AGENTS

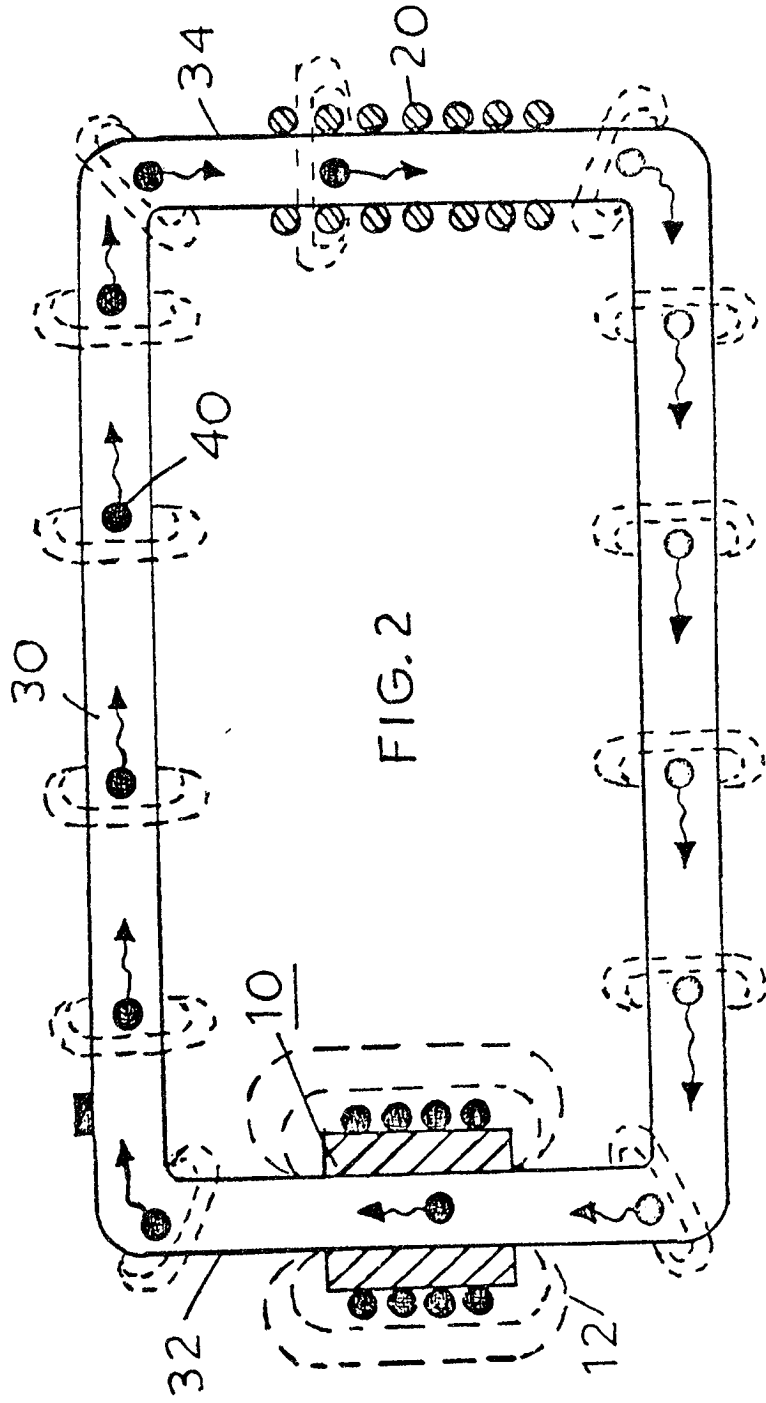


FIG. 2

Johnson & Hicks
PATENT AGENTS

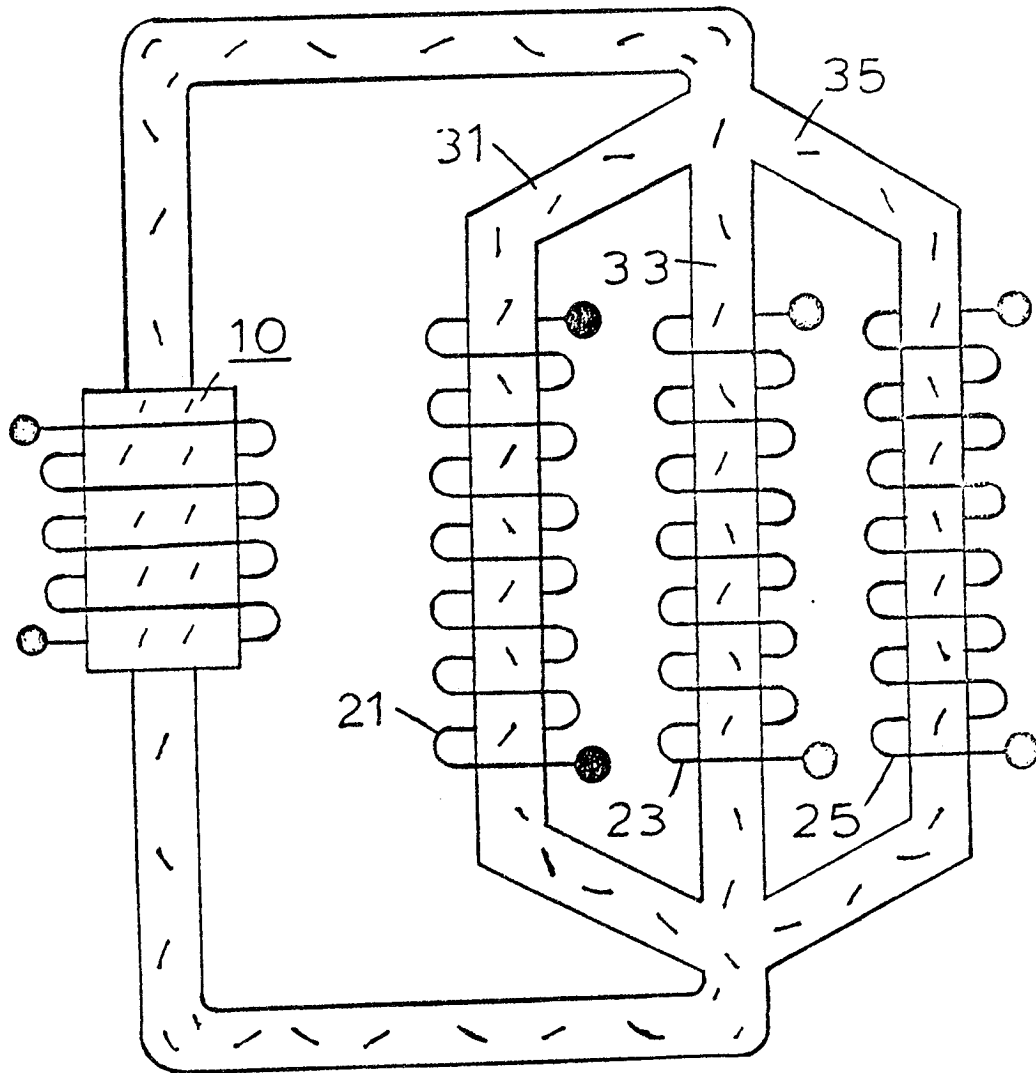


FIG. 3

Johnson & Hicks
PATENT AGENTS

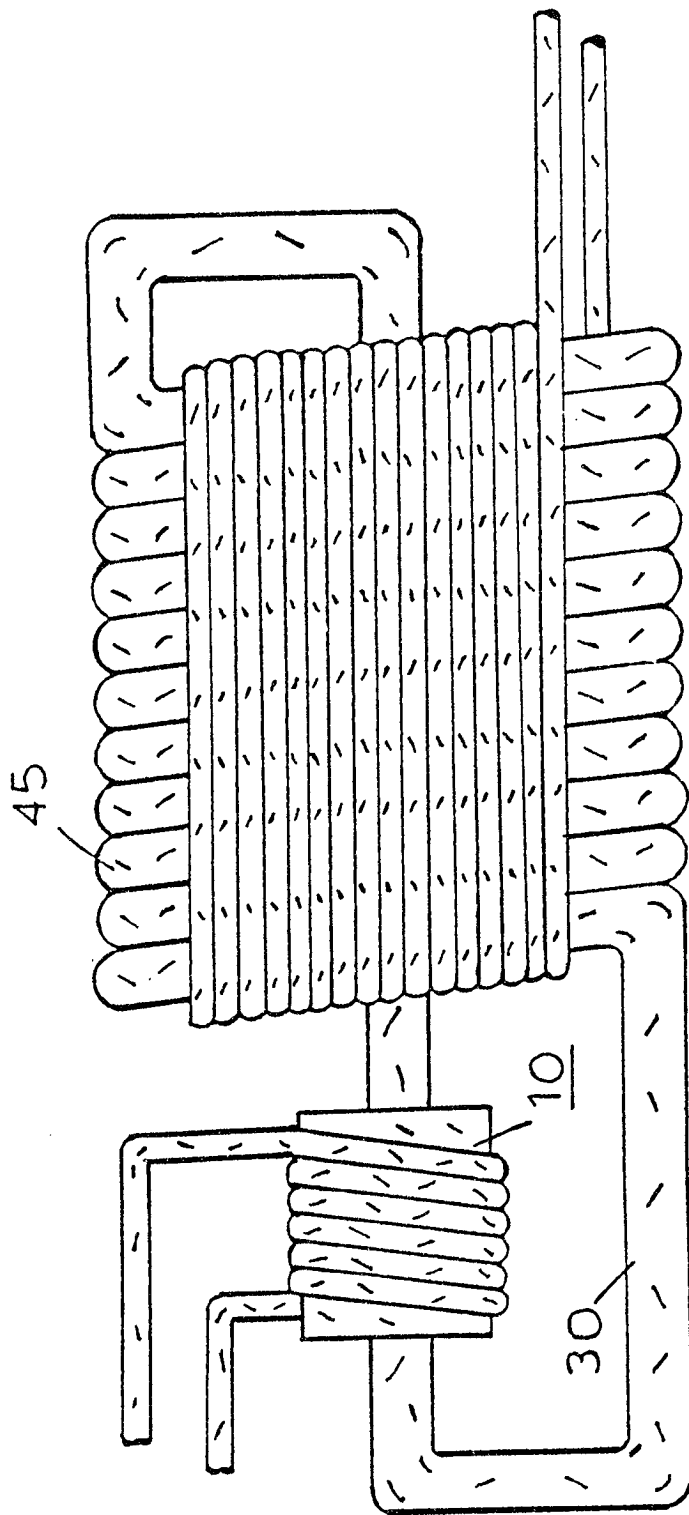
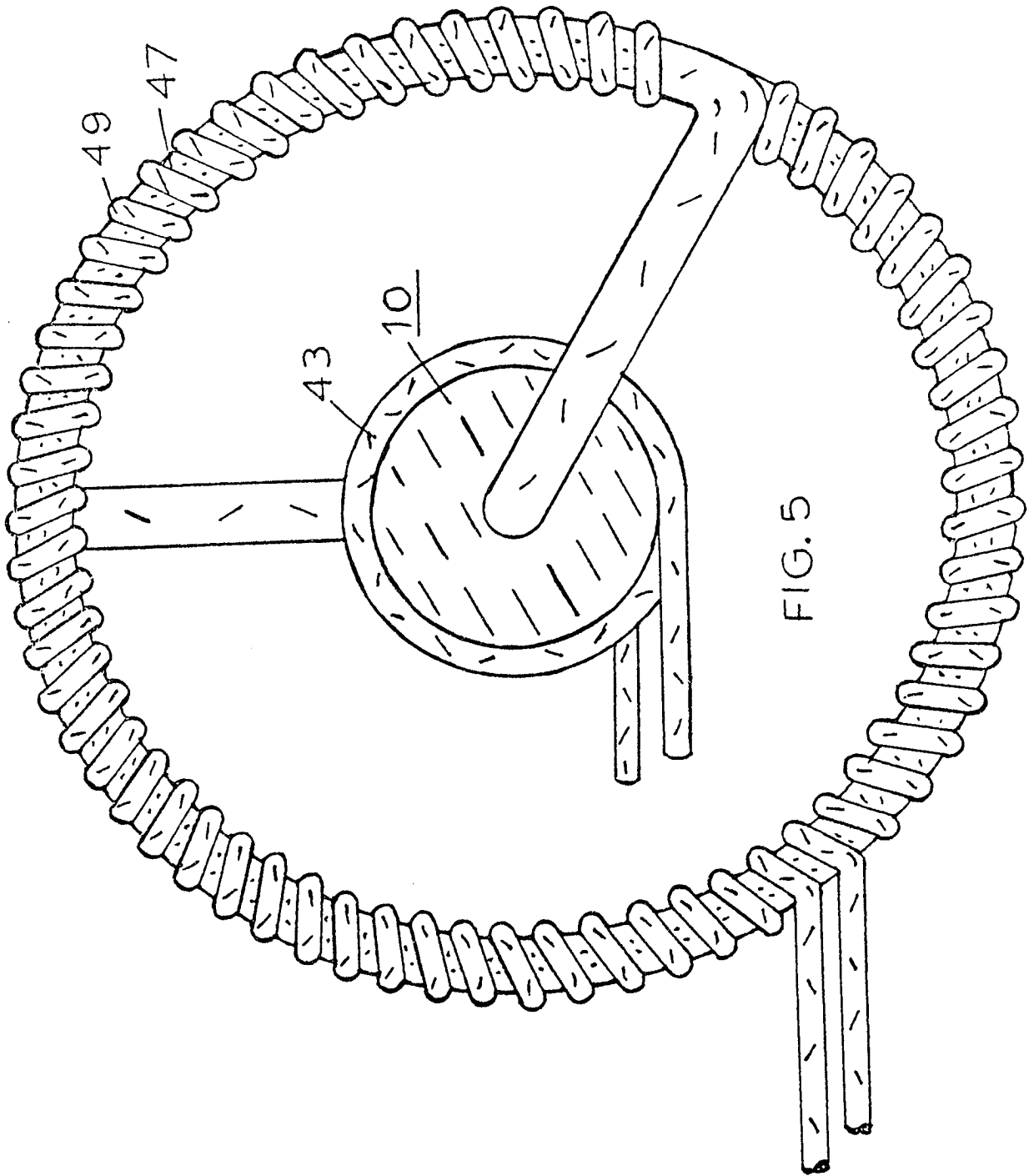
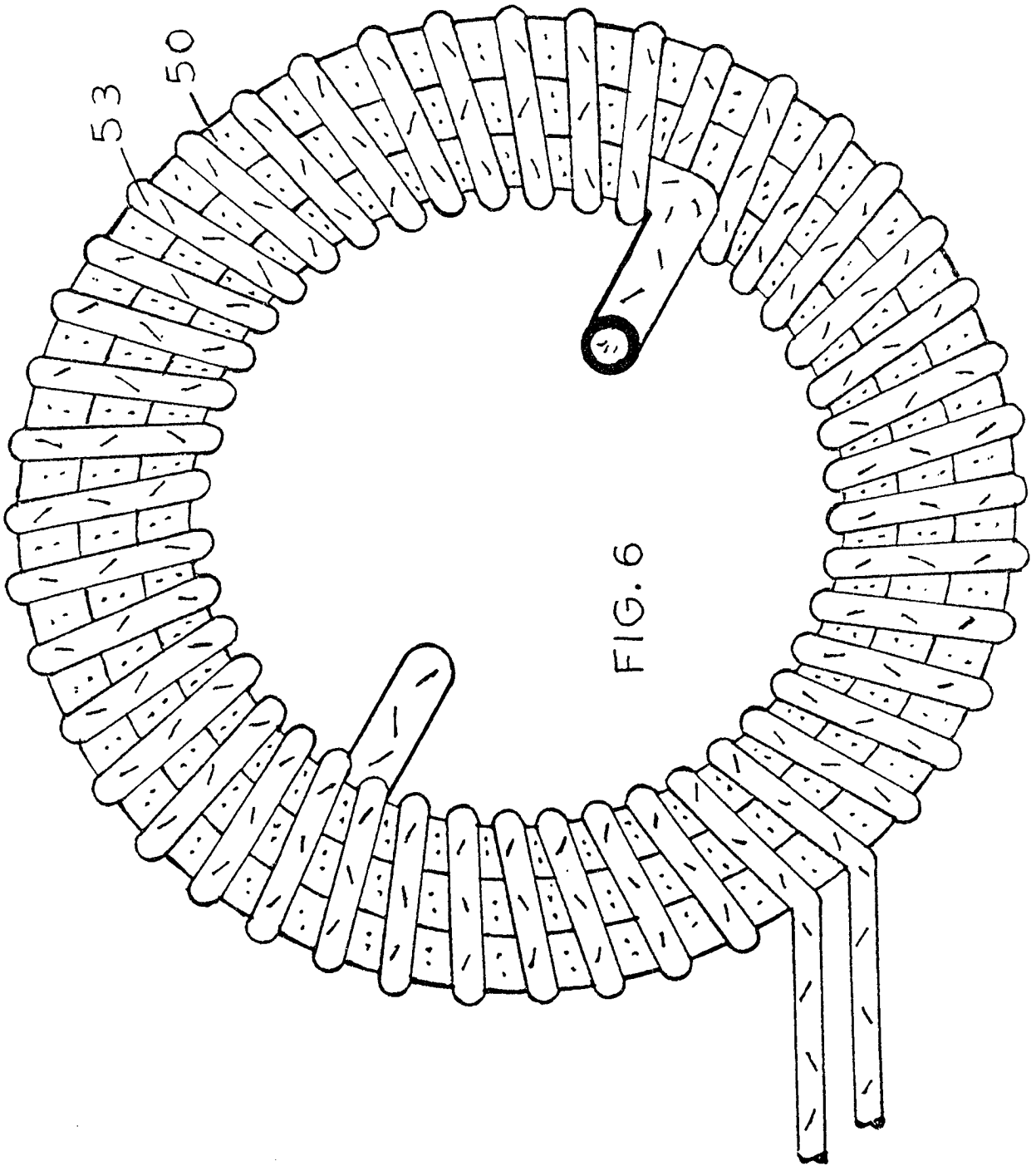


FIG. 4

Johnson & Hicks
PATENT AGENTS



Johnson & Hicks
PATENT AGENTS



Johnson & Hicks
PATENT AGENTS

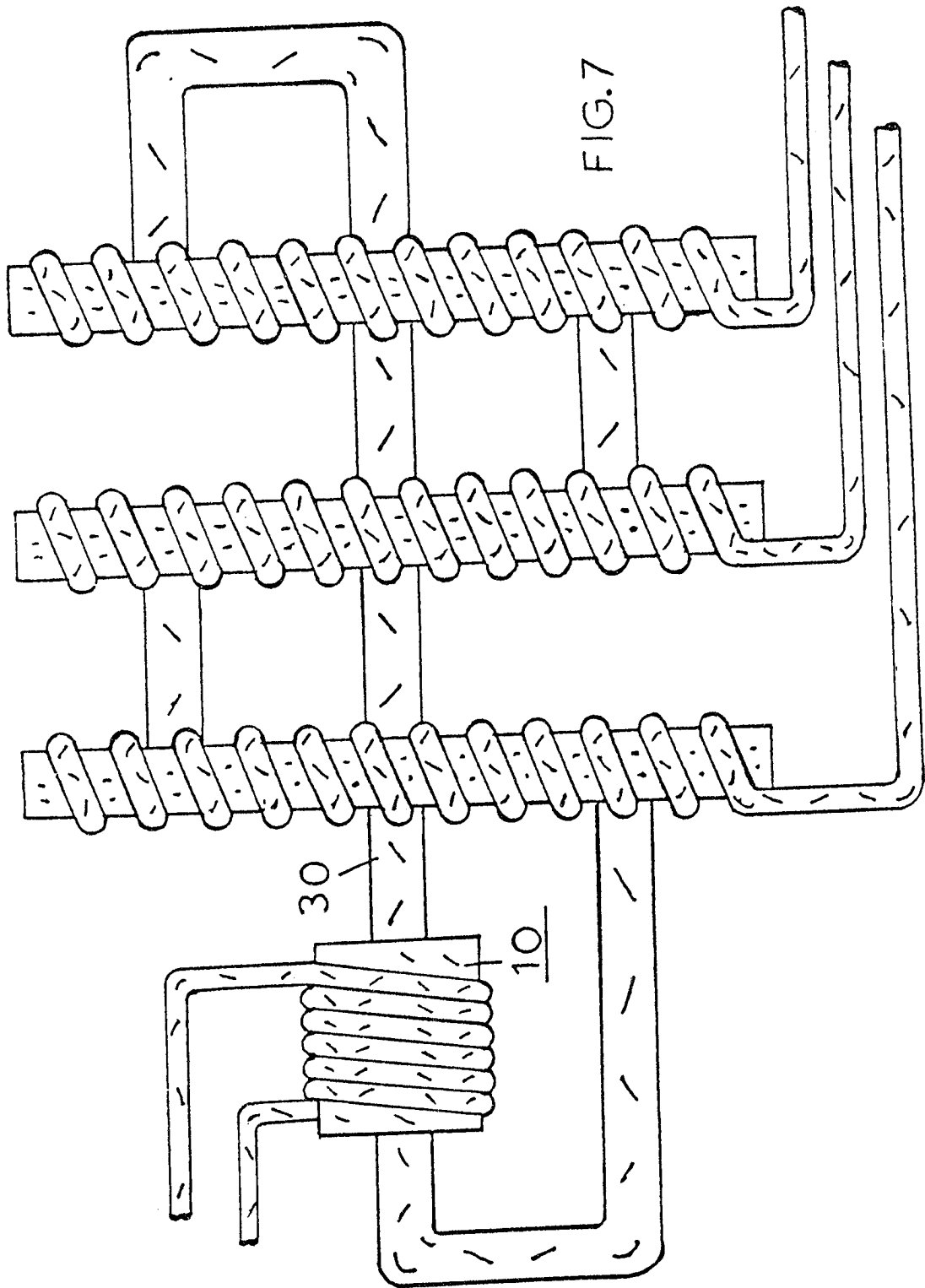


FIG. 7

Johnson & Hicks
PATENT AGENTS

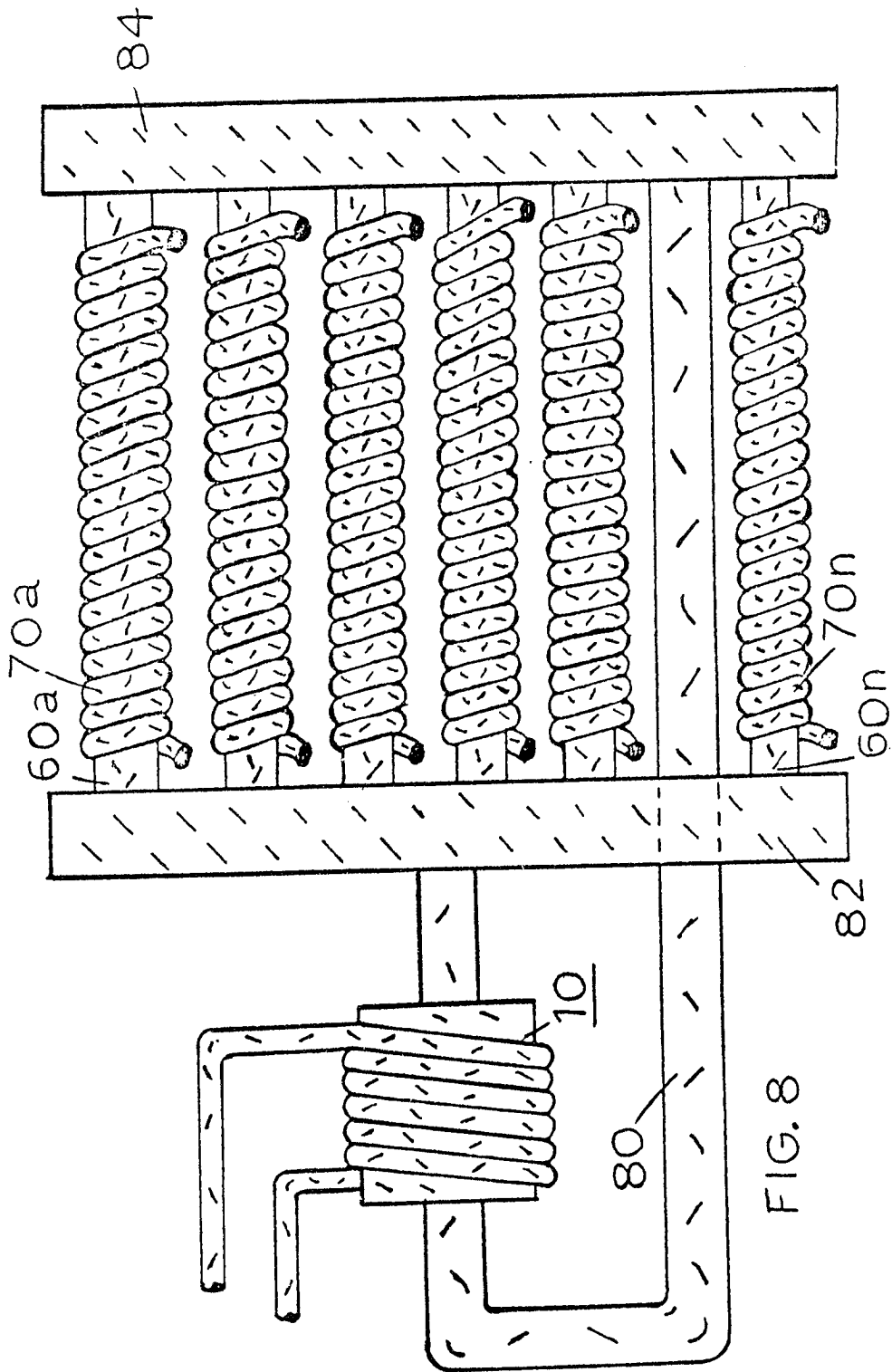


FIG. 8

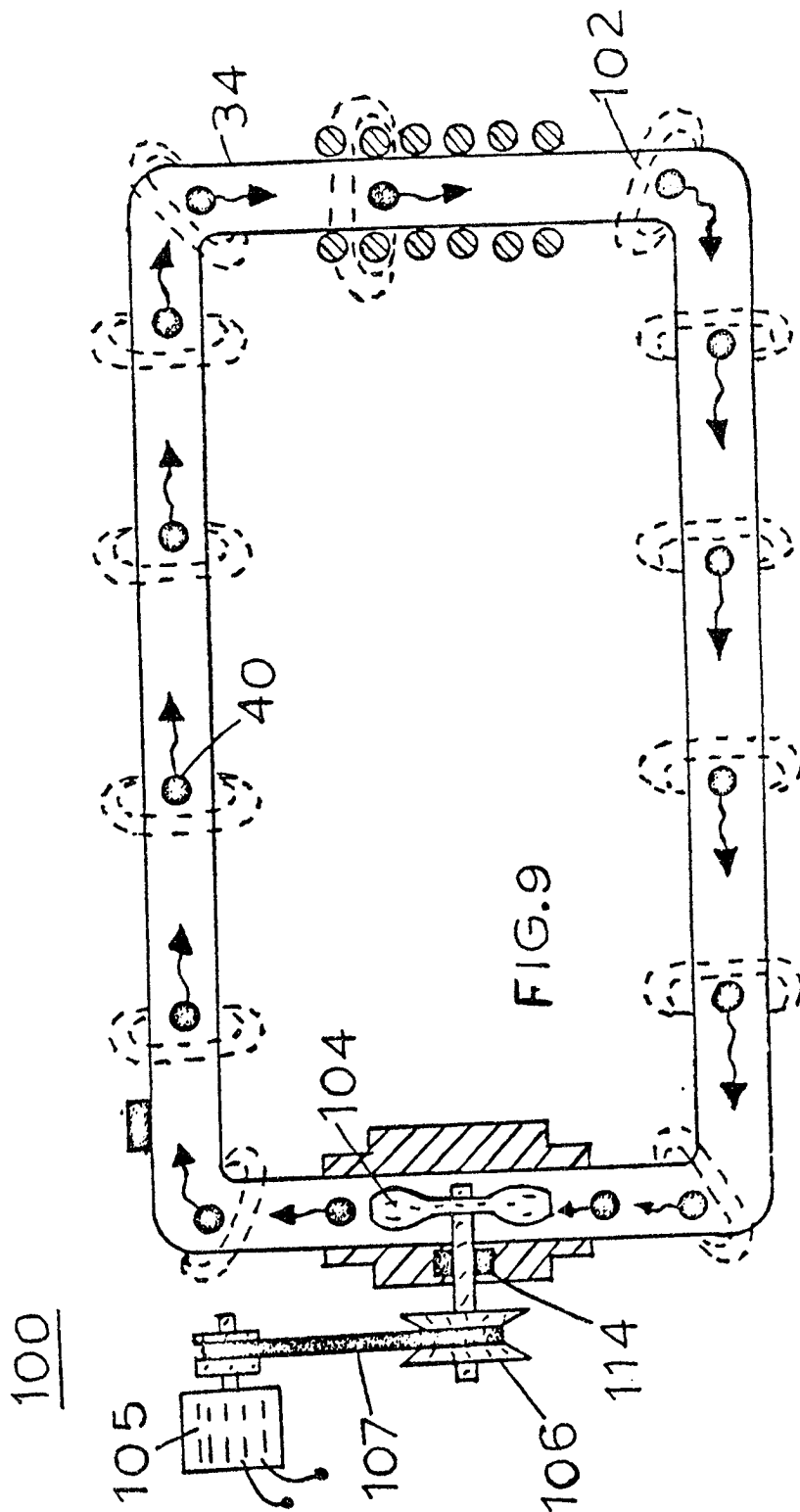


FIG. 9

Johnson & Hicks
PATENT AGENTS

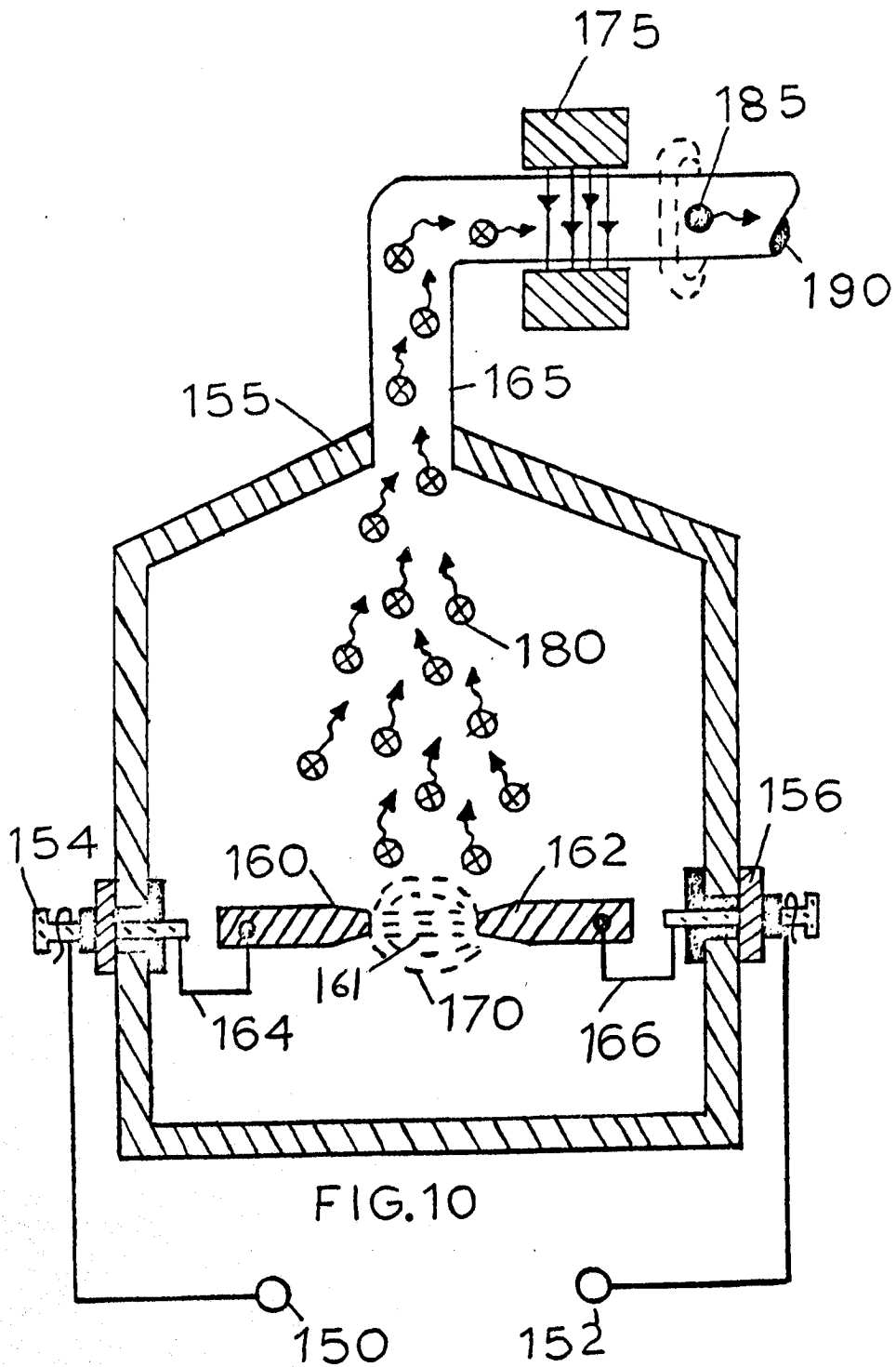


FIG. 10