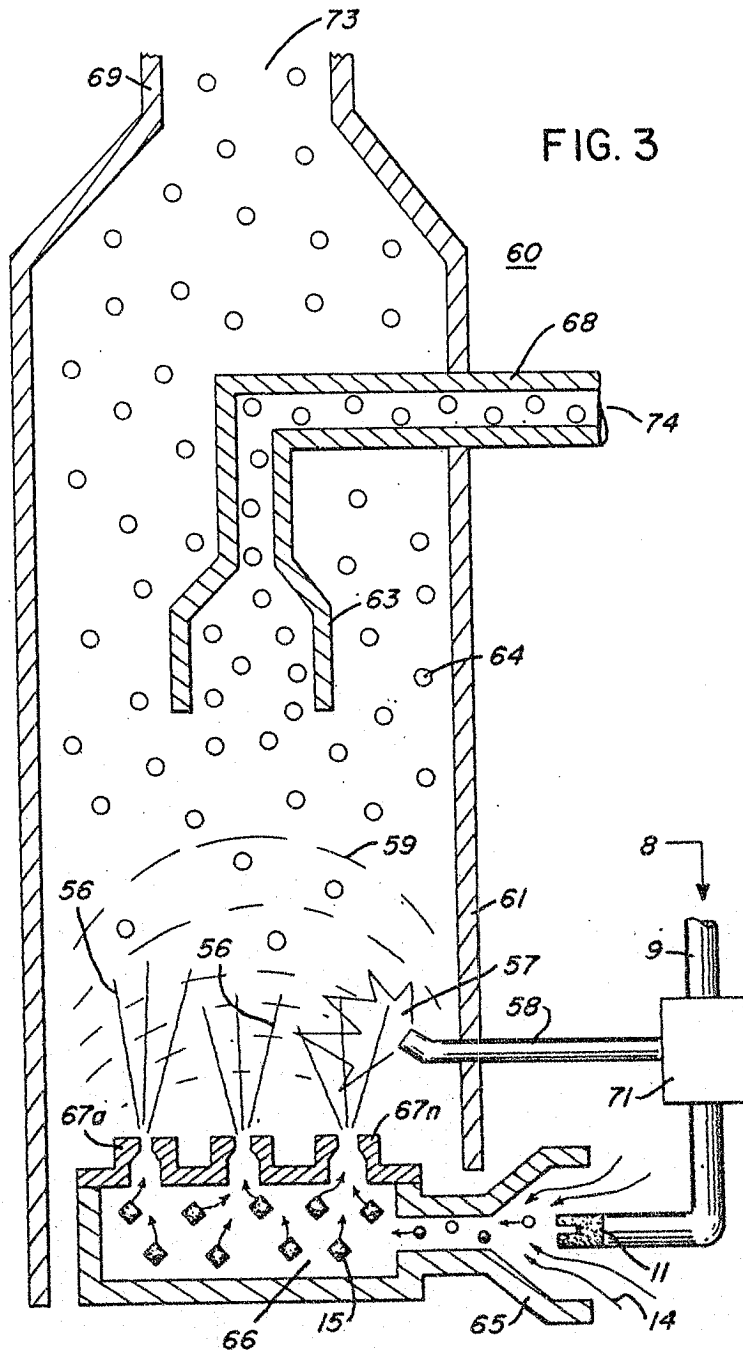


FIG. 2



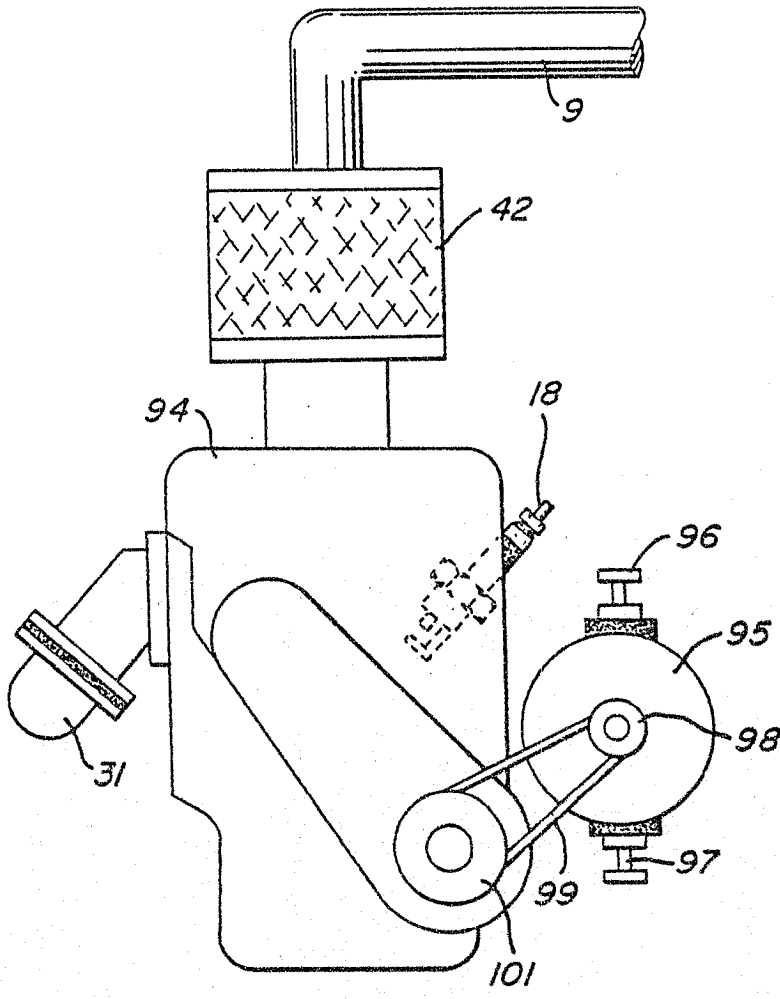


FIG. 5

PERLEY-ROBERTSON
PANET, HILL & McDOUGALL
PATENT AGENTS